

4

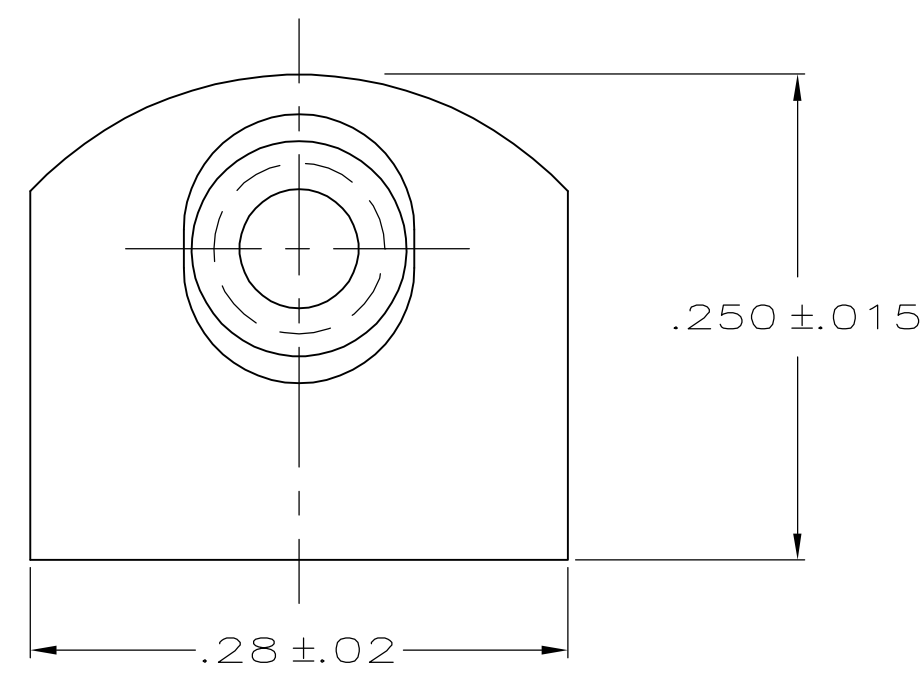
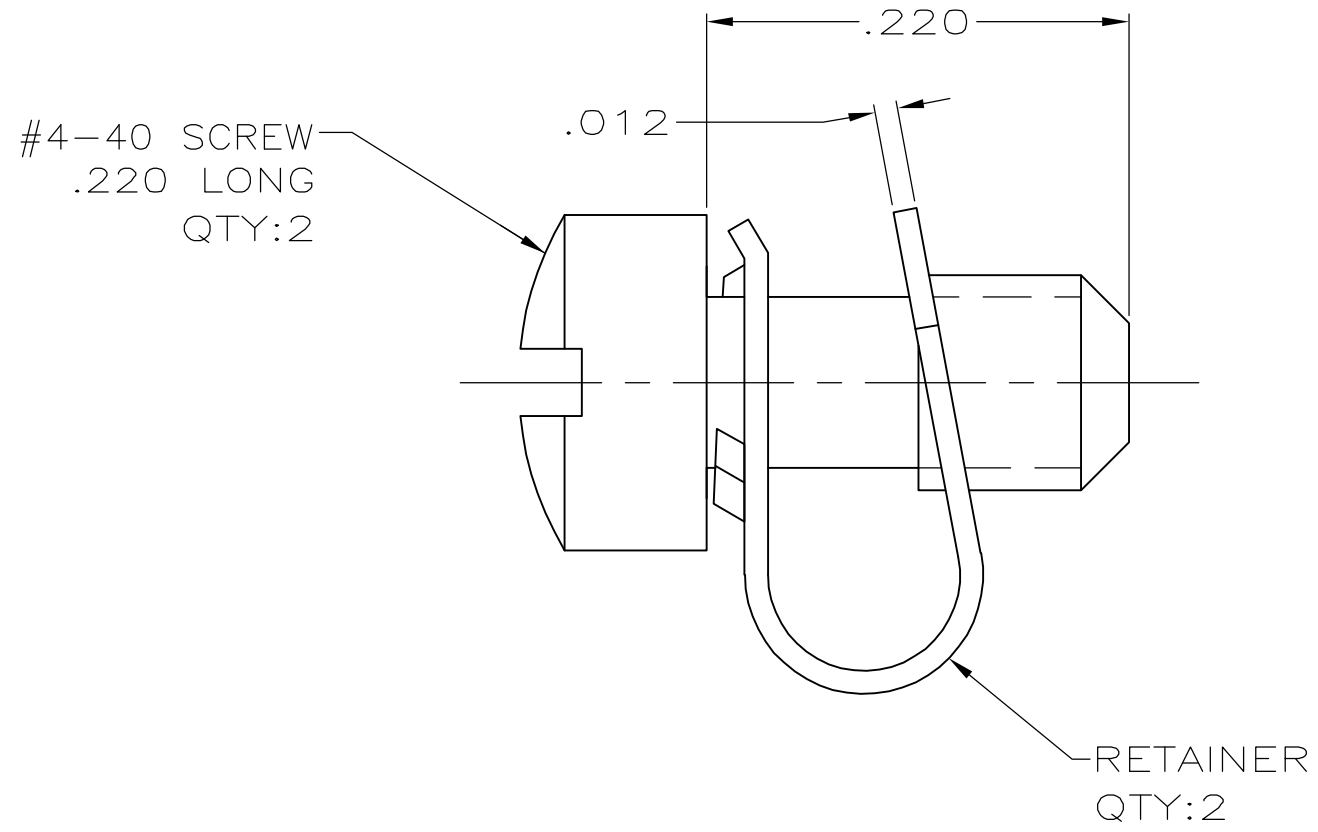
3

2

1

THIS DRAWING IS UNPUBLISHED. RELEASED FOR PUBLICATION  
 © COPYRIGHT BY TYCO ELECTRONICS CORPORATION. ALL RIGHTS RESERVED.

LOC	DIST	REVISIONS					
GP	00	P	LTR	DESCRIPTION	DATE	DWN	APVD
		0		RELEASED PER EC 0S13-0207-05	11JUL05	SW	JG



- 1. PARTS PACKAGED UNASSEMBLED.
- 2. ZINC PLATED .000200-.000400 THICK, YELLOW CHROMATE COATING.
- 3. STAINLESS STEEL.
- 4. PARTS PACKAGED AS A UNIT KIT.

5745647-1  
 PART NUMBER

THIS DRAWING IS A CONTROLLED DOCUMENT.		DWN S.WAITMAN 11JUL05	Tyco Electronics Corporation Harrisburg, Pa 17105-3608				
DIMENSIONS: INCHES		CHK C.ROHDE 11JUL05					
TOLERANCES UNLESS OTHERWISE SPECIFIED:		APVD M.WALMSLEY 11JUL05	NAME KIT, SCREW RETAINER, AMPLIMITE HDE				
0 PLC ± - 1 PLC ± - 2 PLC ± - 3 PLC ± .010 4 PLC ± - ANGLES ± -		PRODUCT SPEC -	APPLICATION SPEC -				
MATERIAL SCREWS: STEEL		FINISH	SIZE A3	CAGE CODE 00779	DRAWING NO C-5745647	RESTRICTED TO -	
RETAINERS: 3		SCREWS: 2	CUSTOMER DRAWING		SCALE 10:1	SHEET 1 OF 1	REV 0